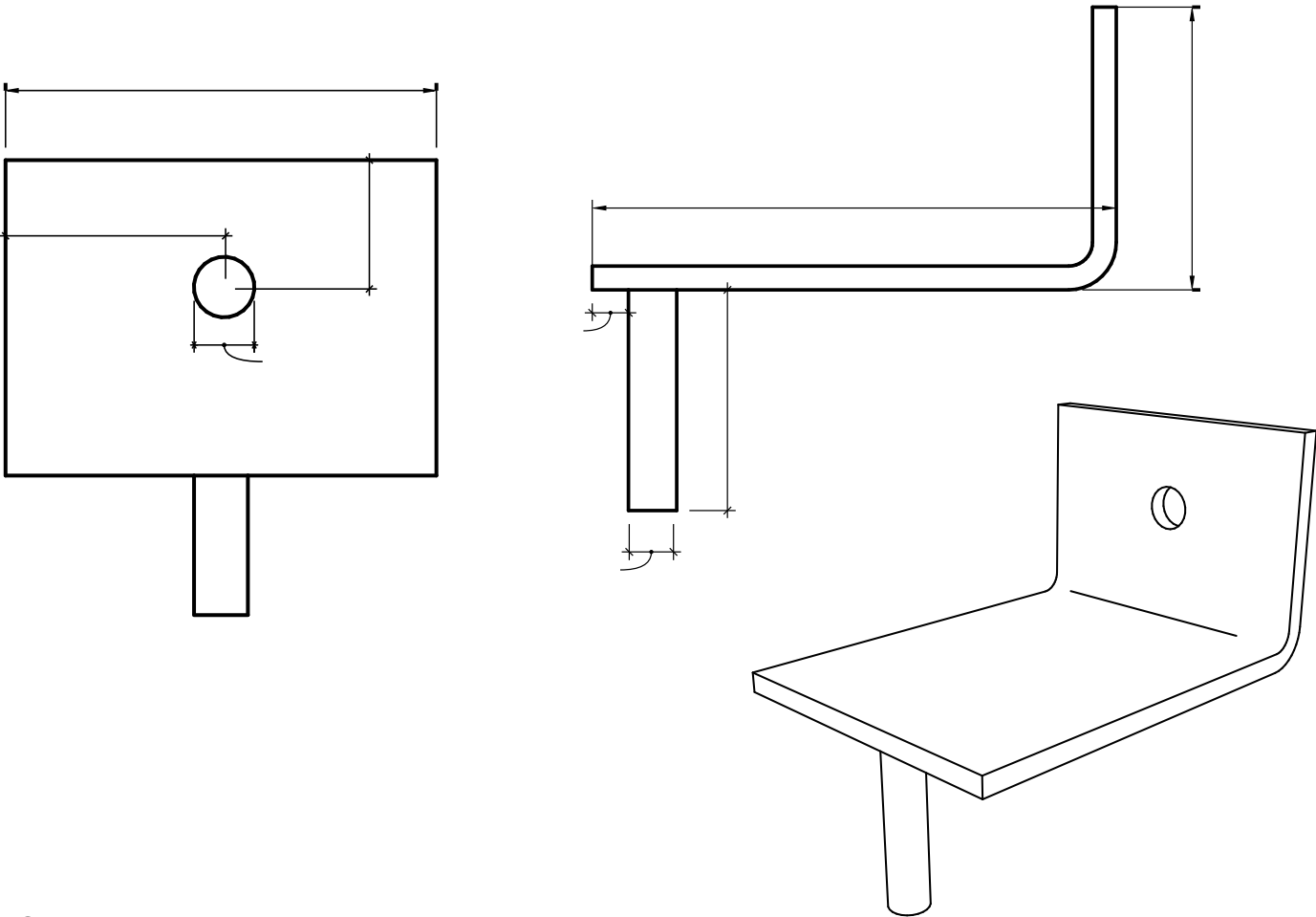


# PRODUCT SUBMITTAL

WIRE-BOND

## #3052 Stone Anchor



QUANTITY: \_\_\_\_\_

ST/ST Min. Fy = 45,000 p.s.i (ASTM A666)

### THICKNESS:

1/8"      1/4"  
3/16"      Other \_\_\_\_\_

### FINISH:

Hot Dip Galv.  
Stainless Steel Type 304



### CONTACT INFORMATION:

Name: \_\_\_\_\_  
Company: \_\_\_\_\_  
Phone: \_\_\_\_\_ Fax: \_\_\_\_\_  
E-mail: \_\_\_\_\_

### PROJECT INFORMATION:

Name: \_\_\_\_\_  
Location: \_\_\_\_\_  
\_\_\_\_\_  
\_\_\_\_\_

Corporate Office: 400 Rountree Rd Charlotte, NC 28217  
TEL: (800) 849-6722 FAX: (704) 525-3761

Mailing Address: P.O. Box 240988 Charlotte, NC 28224



[www.wirebond.com](http://www.wirebond.com)

Memphis Plant: 2365 Harbor Ave. Memphis, TN 38113  
TEL: (800) 441-8359 FAX: (901) 775-9449

Mailing Address: P.O. Box 13124 Memphis, TN 38113